



## Spec sheet 1 Compartment Stainless Steel Sinks

SA121610-16R3 - SA121610-16L3



### ***Material:***

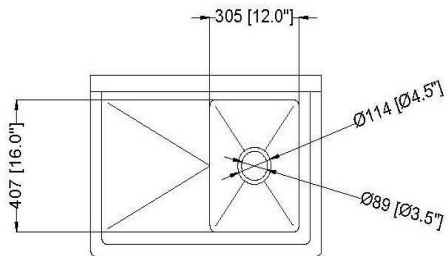
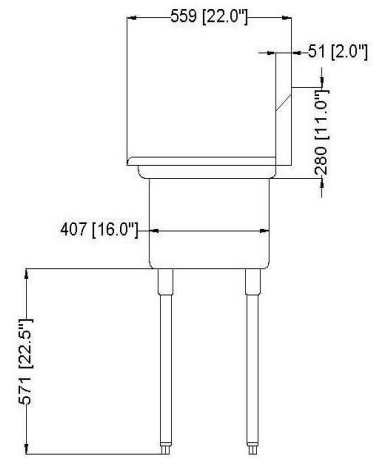
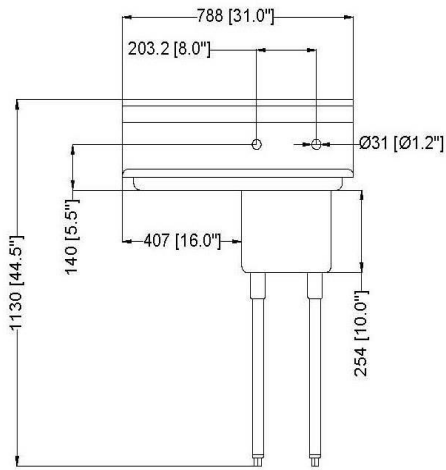
- T-304 18 ga. Stainless Steel Deck & Bowls
- Galvanized Steel Legs
- Adjustable Plastic Bullet Feet 1-1/2-Inches

### ***Features:***

- 1/4" Pitched Drainboards To Ensure Proper Drainage
- 1 1/2" Rounded Front and Side Edges
- Accommodates 8" On Center Faucets
- Drains Included
- 10" Backsplash

PartNumber	Unit Size (lxw)	Bowl Dim. (lx wxd)	Sets of FaucetHoles	Drainboard	Legs
SA121610-16L3	31" x 22"	12" x 16" x 10"	1	(1)-16" Left Galvanized Steel	
SA121610-16R3	31" x 22"	12" x 16" x 10"	1	(1)-16" Right Galvanized Steel	

## SA121610-16L3



# SA121610-16R3

